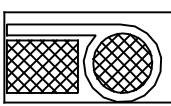


Fax to:	Customer	Approved/Notes
Fax#	Project	
From	Job#	Ship Date
Date	PA Insert Quote/Order#	Page ____ of ____

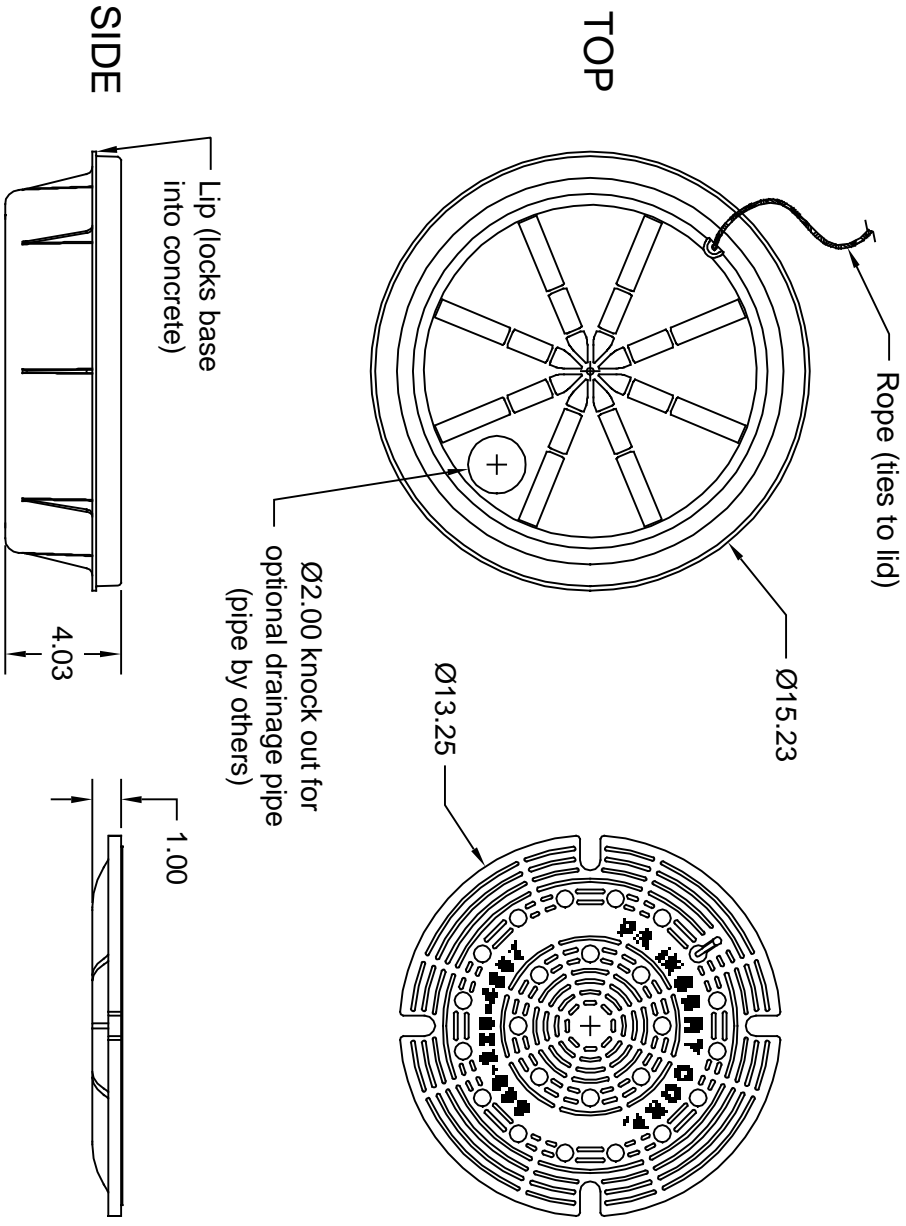
Approved/Notes
----------------

**PA Insert Corp**  
 PO Box 199  
 Spring City PA 19475  
 tel: 610-948-9688  
 fax: 610-948-9750

email: sales@pennsylvaniasert.com  
 web: www.pennsylvaniasert.com



# NEW PLASTIC SUMP



**BASE:**

- Material - Propylene
- Rope connects to lid
- Lip positively locks base into concrete
- 2" knock out hole in base for optional drain pipe (drain pipe by others)

**LID:**

- Material - 30% Glass filled Propylene
- Top surface has raised areas to provide traction
- Ribbed construction provides increased strength and riddidity